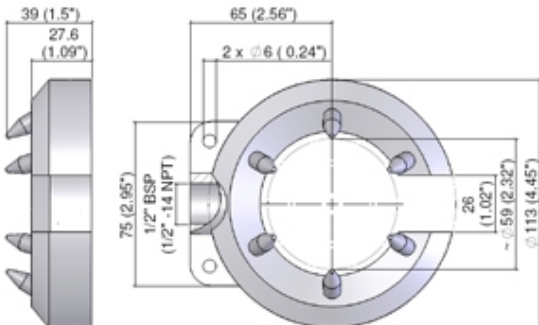




Replaces open tube **10 mm**

Noise reduction **78 %**

Air-/ cost savings **38 %**



## Silvent 453

### Doughnut nozzles

SILVENT 453: the smallest version of Silvent's doughnut nozzles with just an inner ring of nozzles. This is our most commonly used type of doughnut nozzle. Finding the blowing pattern that is most suitable for the majority of blow-off processes is the result of years of experience with previous generations of doughnut nozzles. These nozzles are designed for continuous production and the cleaning or drying of cables, sections, pipes, hoses etc. The SILVENT 453 allows problem-free insertion and removal of material with diameters of 5 mm to 25 mm (0.2-1.0"). There are attachment lugs for easy and safe mounting. Fully complies with the noise limitations of the EU Machine Directive and OSHA safety standards. Patented."

### Technical data

Item number	743025
Air consumption	114 Nm <sup>3</sup> /h
Air connection	1/2 "
Sound	90 dB(A)
Blowing Power	20 N
Dimensions LxWxH	113 x 120 x 38 mm
Material	Aluminium
Air pattern	Misc.