

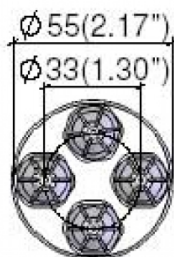
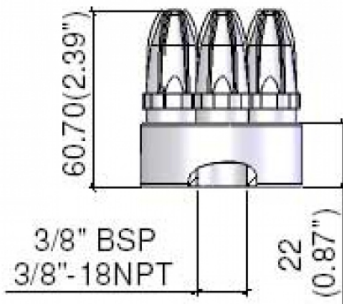


Product test possible!

Replaces open tube Ø 8 mm

Noise reduction 81 %

Air-/ cost savings 42 %



Silvent 404 L

multiple nozzle head

SILVENT 404 L: for a broader air cone and high blowing force. Perfect for ejection of parts from punch presses and molds. Drying, cleaning, transport and cooling are other areas of application for this product. Meets OSHA safety standards and the noise limitations of the EU Machine Directive. Patented.

Technical data

Item number	714148
Air consumption	68 Nm ³ /h
Air connection	3/8 "
Sound	84 dB(A)
Blowing Power	13.6 N
Dimensions LxWxH	55 x 60.7 mm