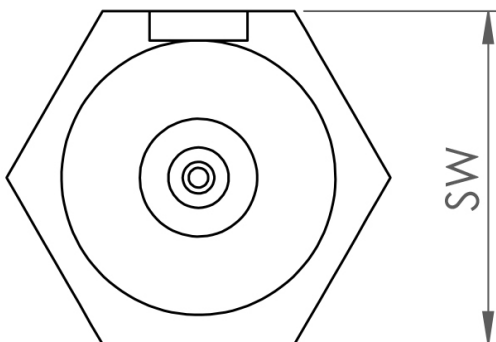
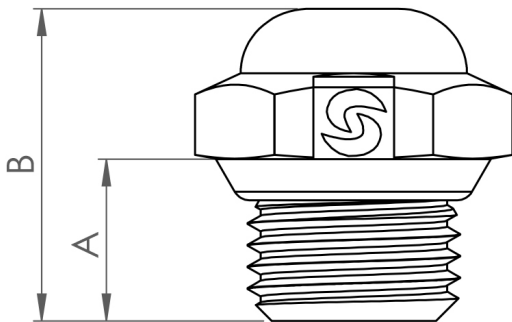




Hole (opt.) 1 - 4 mm

Angle (opt.) 50 - 85°



P-B-HCN-1/4-316-50-1

Hollow cone nozzle / 1/4" 1.4404 / 50°

swepro P-B-HCN-1/4-316-50-1 - The swepro pro series hollow cone nozzle, made from corrosion-resistant 1.4404 stainless steel, is suitable for continuous use in all industry sectors. Applications for the hollow cone nozzle are cleaning, cooling, coating and wetting processes. The advantages of the pro series (improved useful life, optimised spray pattern and ease of installation) are complemented by the compact installation dimensions of the spray nozzle. Installation is even possible in areas of application where space is confined. The spray pattern is a hollow cone that allows uniform distribution of the fluid at as little as 1 bar pressure. A variant with a blue, detectable sealing ring is available for use in the food industry.

Technical data

| | |
|------------------|------------------------|
| Item number | 247600 |
| Weight | 17,5 g |
| Spraying angle | 50° |
| Dimension A: | 10 mm |
| Dimension B: | 19,3 mm |
| Hole | 1 mm |
| Wrench size (SW) | 17 mm |
| Material | 1.4404 Stainless Steel |
| Spraying pattern | hollow cone |
| Connection | 1/4" BSPP |