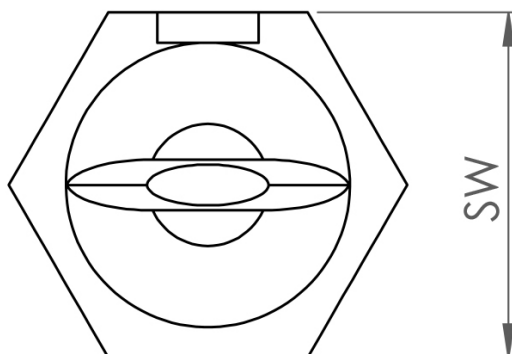
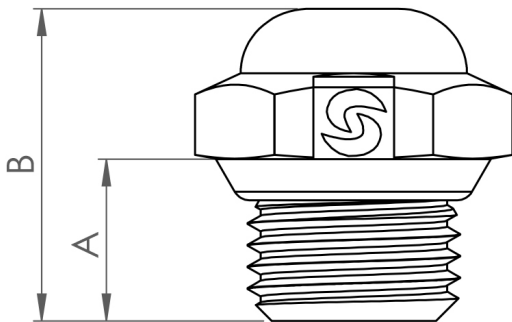




Hole (opt.) 1 - 6 mm

Angle (opt.) 30 - 120°



P-B-FFN-1/4-316-30-1

Flat fan nozzle / 1/4 / 1.4404 / 30°

swepro P-B-FFN-1/4-316-30-1 - The swepro pro series flat fan nozzle, made from corrosion-resistant 1.4404 stainless steel, is suitable for continuous use in all industry sectors. Applications for the flat fan nozzle are cleaning, cooling, coating and wetting processes. The advantages of the pro series (improved useful life, optimised spray pattern and ease of installation) are complemented by the compact installation dimensions of the spray nozzle. Installation is even possible in areas of application where space is confined. The spray pattern is a consistent flat jet that allows uniform distribution of the fluid at as little as 1 bar pressure. A variant with a blue, detectable sealing ring is available for use in the food industry.

Technical data

Item number	210045
Weight	17,5 g
Spraying angle	30°
Flow (3 bar)	1,3 l/min
Dimension A:	10 mm
Dimension B:	19,3 mm
Hole	1 mm
Wrench size (SW)	17 mm
Material	1.4404 Stainless Steel
Spraying pattern	fan jet
Connection	1/4" BSPP